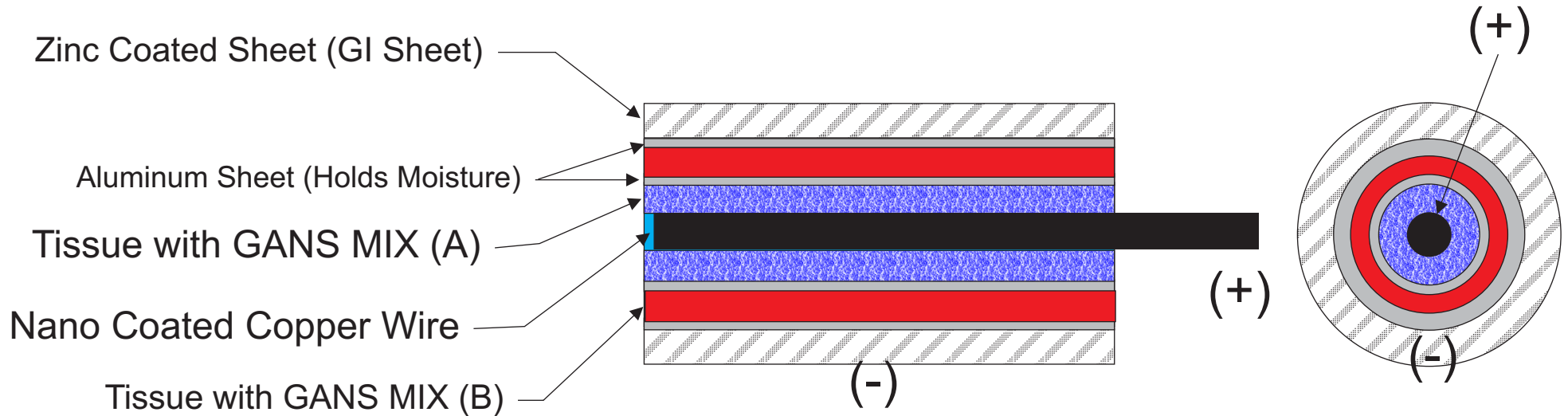


Alekz System

Keshe Foundation R&D Group
July 2, 2015

1.5V Double Layer Gans Cell (DLGC)



GANS Mix A = Sugar(C₁₂H₂₂O₁₁) = C(12x12)+H(1x22)+O(16x11) = 342 (matter state)
+ Caustic Soda (NaOH) = Na (23)+O(16)+H(1) = 40 (matter state)
+ Dried Titanium Dioxide (TiO₂) Gans = Ti(48)+O(16x2)= 80 - (80 x 0.25) = 60 (Gans)
+ Dried Brass Gans (Cu+Zn Composite Gans) = Cu(63)+Zn(65) = 128 - (126x0.25) = 96 (Gans)
+ Water (H₂O) = H(2)+O(16) = 18 (matter state)

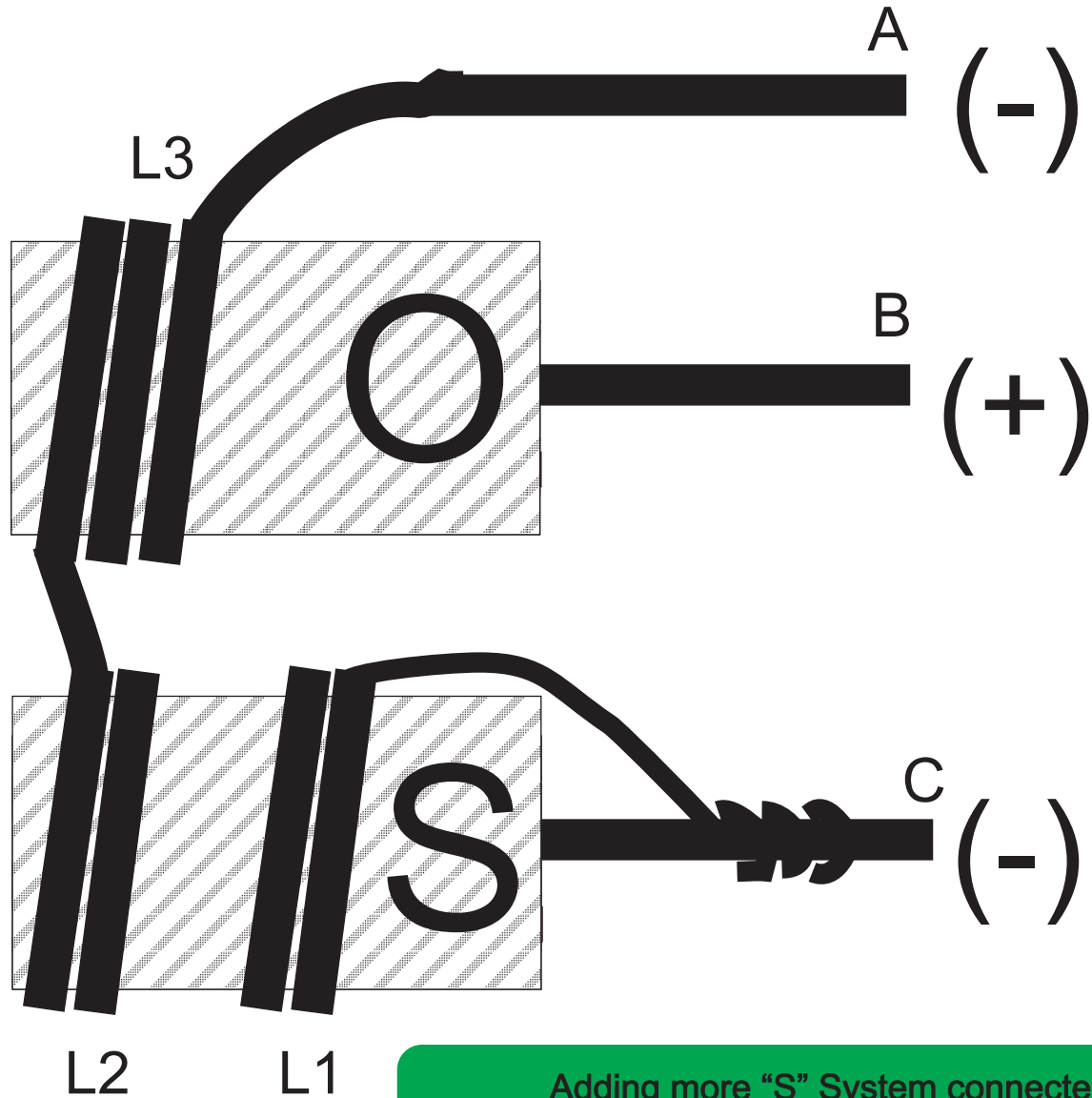
GANS Mix B = CH₃ Gans + Nano Particles + Water (H₂O)

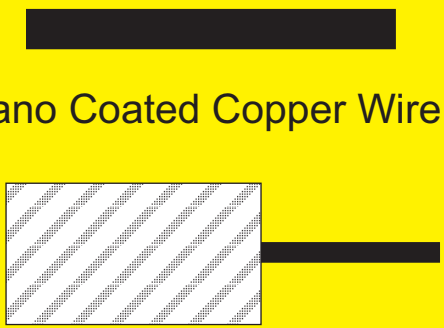
You can do Multiple Layers for your Gans Cells. Always remember we are in PLASMATIC INTERACTION
The Gans amplifies the Nano Coated Material

Alekz System

Keshe Foundation R&D Group
July 2, 2015

Plasma Transistor Setup (PTS-NPN)





Nano Coated Copper Wire

Double Layer Gans Cell (DLGC)

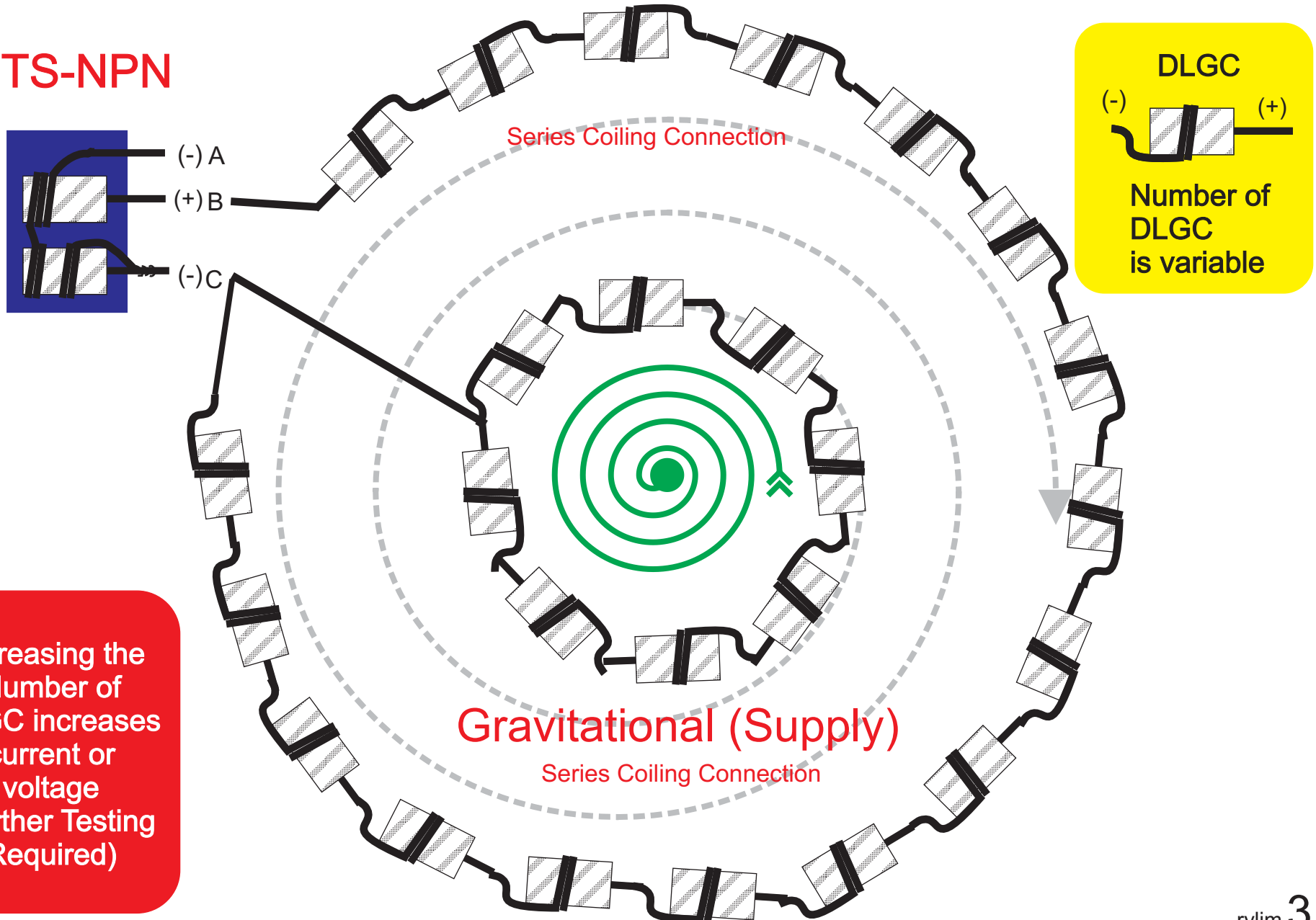
S = Energy Supply Loop (ESL)
O = Positive Output

L1 = Nano Coated Coil 1
L2 = Nano Coated Coil 2
L3 = Nano Coated Coil 3
(L2 connected)

Adding more "S" System connected in Series Circular Loop can boost Voltage and Current. Also number of Turns of Coils may have different condition

MAGRAV Beads Setup (MGBS) Magnetical (Feeds Power)

PTS-NPN

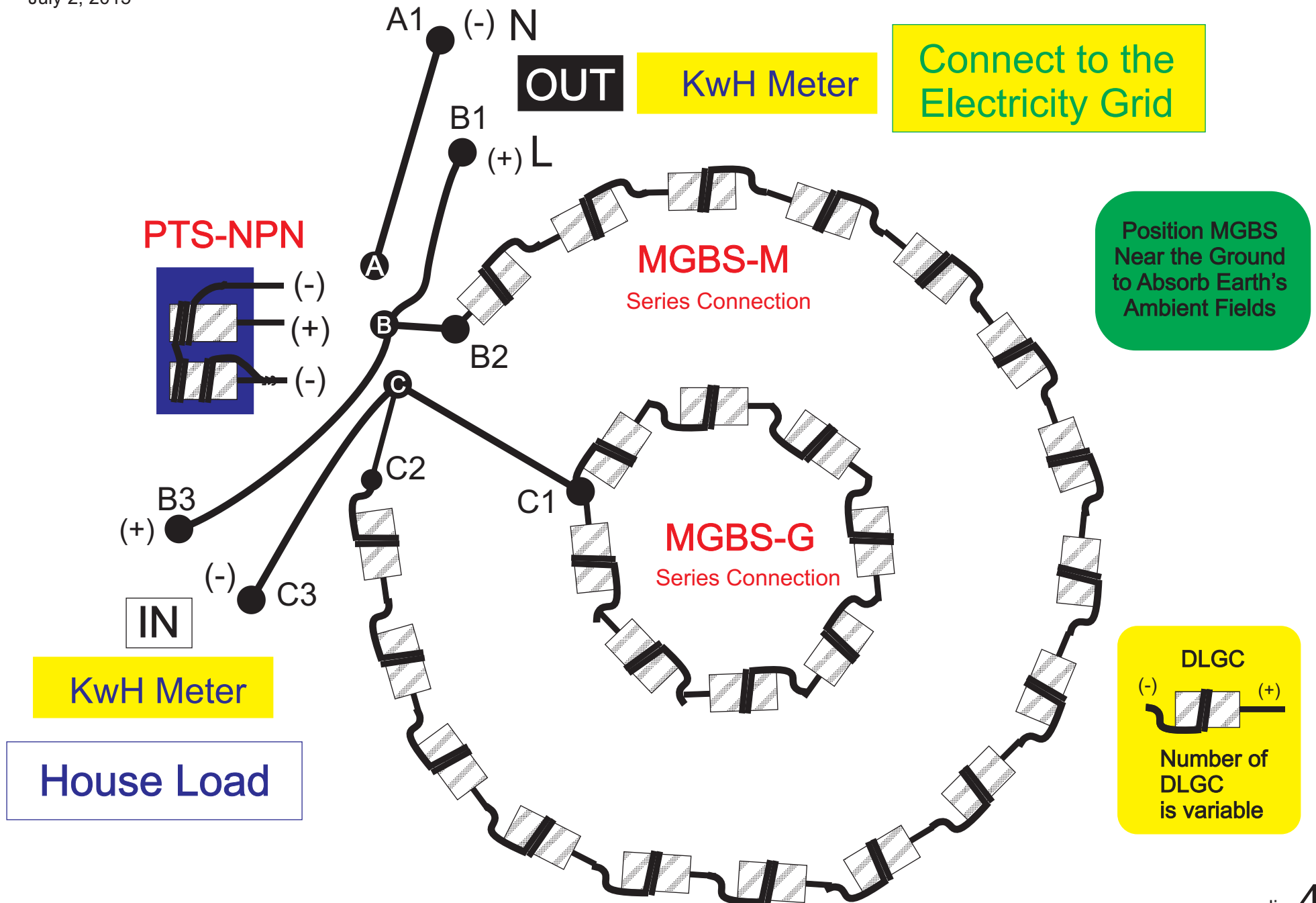


Increasing the
Number of
DLGC increases
current or
voltage
(Further Testing
Required)

Alekz System

Keshe Foundation R&D Group
July 2, 2015

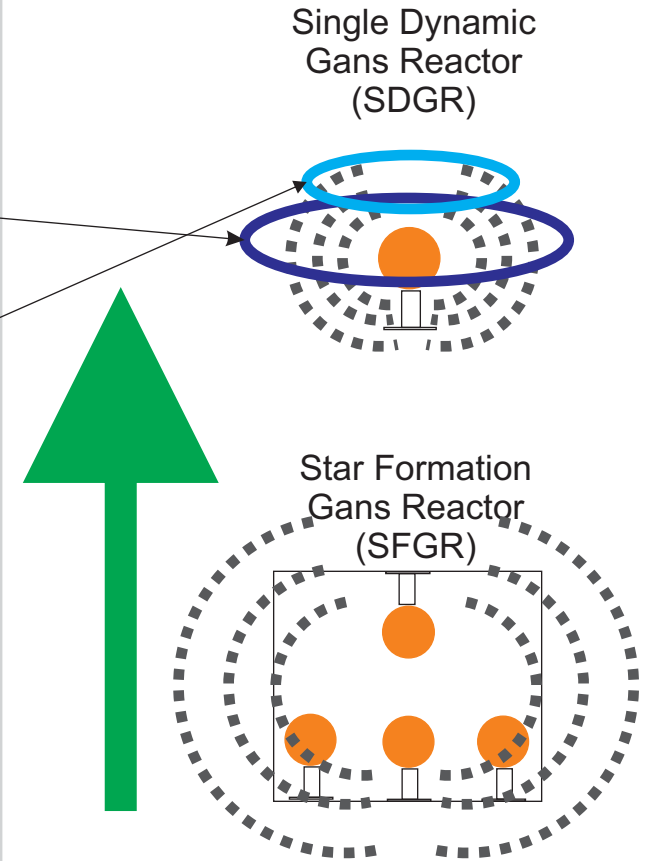
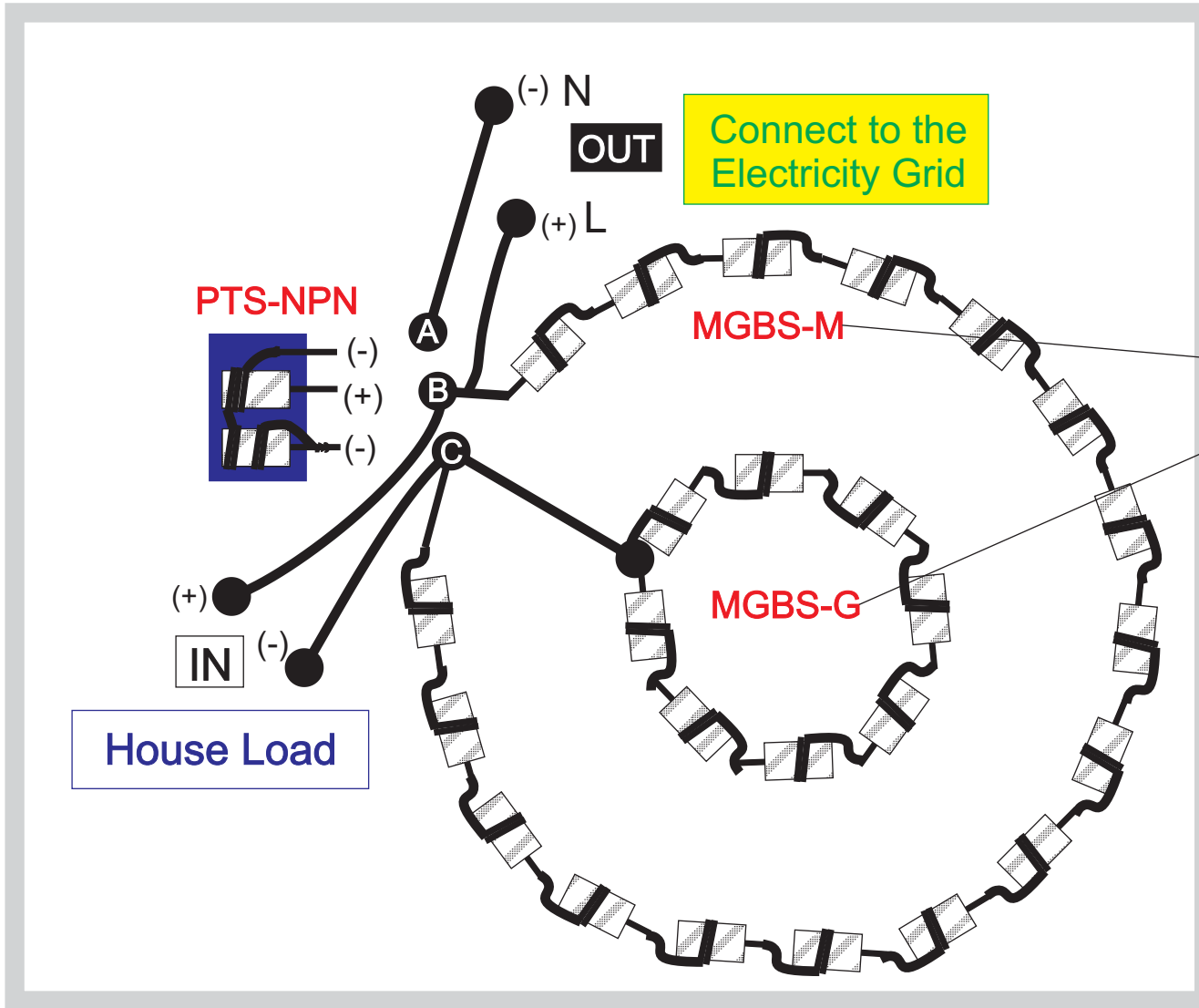
#Energy System1 (ES1) Schematics



Alekz System

Keshe Foundation R&D Group
July 2, 2015

#Energy System2 (ES2) Schematics



Energy System1 (ES1)

The Flow of Plasma Fields will be from the Higher Strength to the Lower Strength hence the Es1 Absorbs the Fields and then converted to Electricity

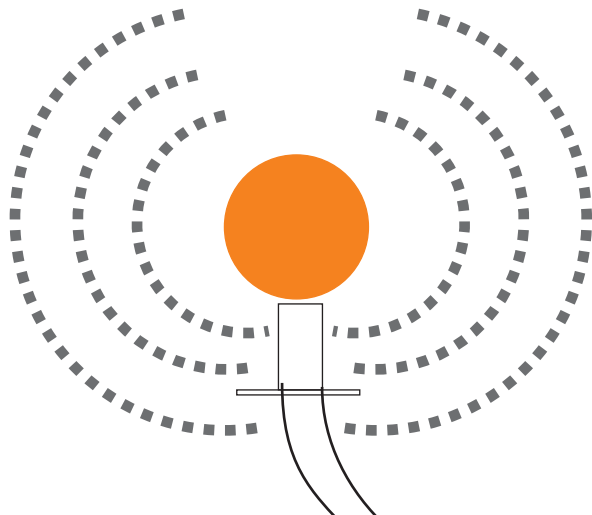
Alekz System

Keshe Foundation R&D Group
July 2, 2015

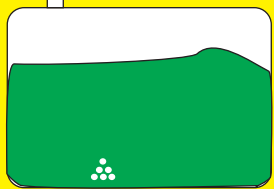
#Car Fuel System (CFS) Schematics

Single Dynamic Gans Reactor (SDGR)

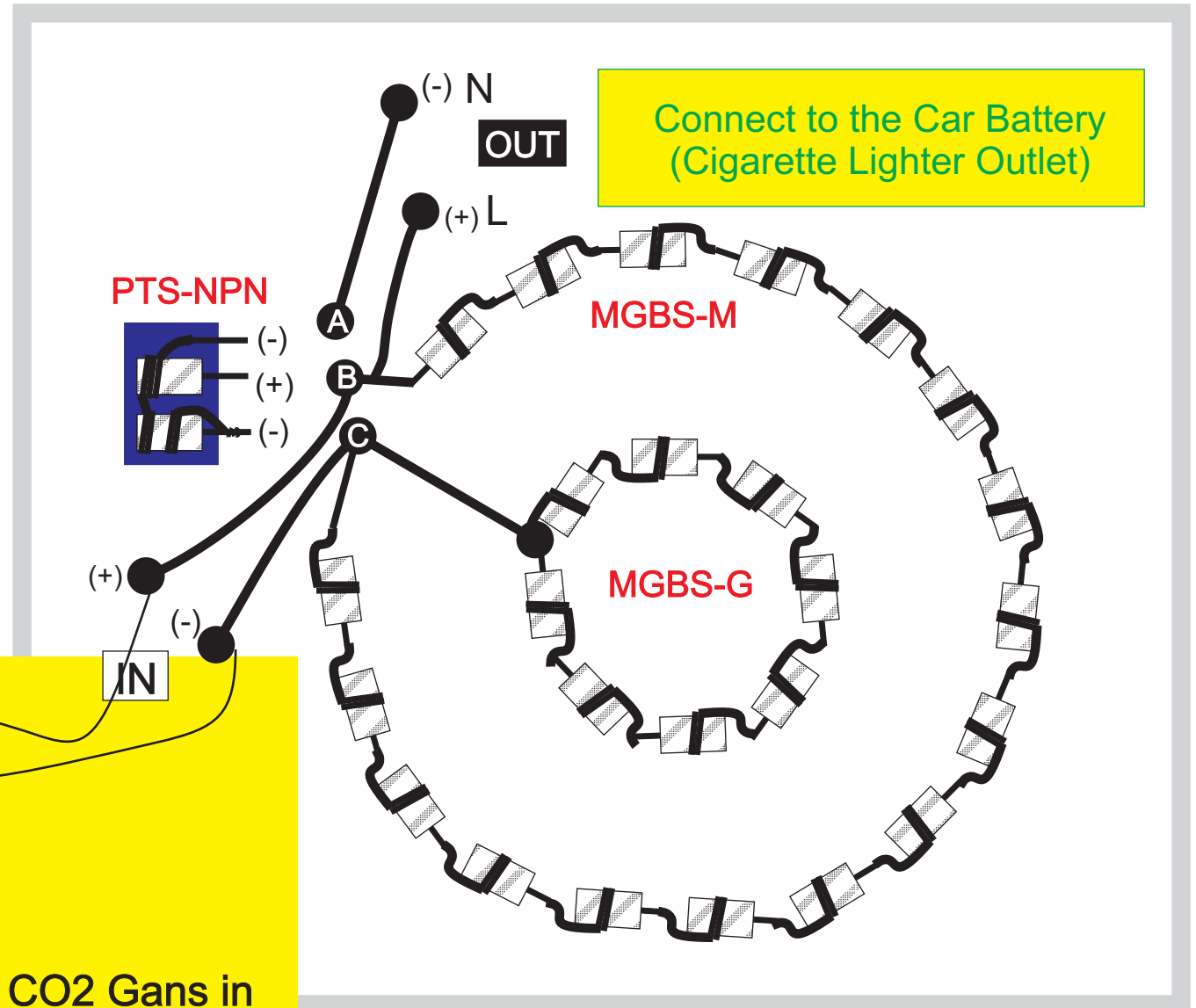
*Co₂ (Liquid Gans + Nano P.
+Dry Gans) Loaded*



Fuel Tank

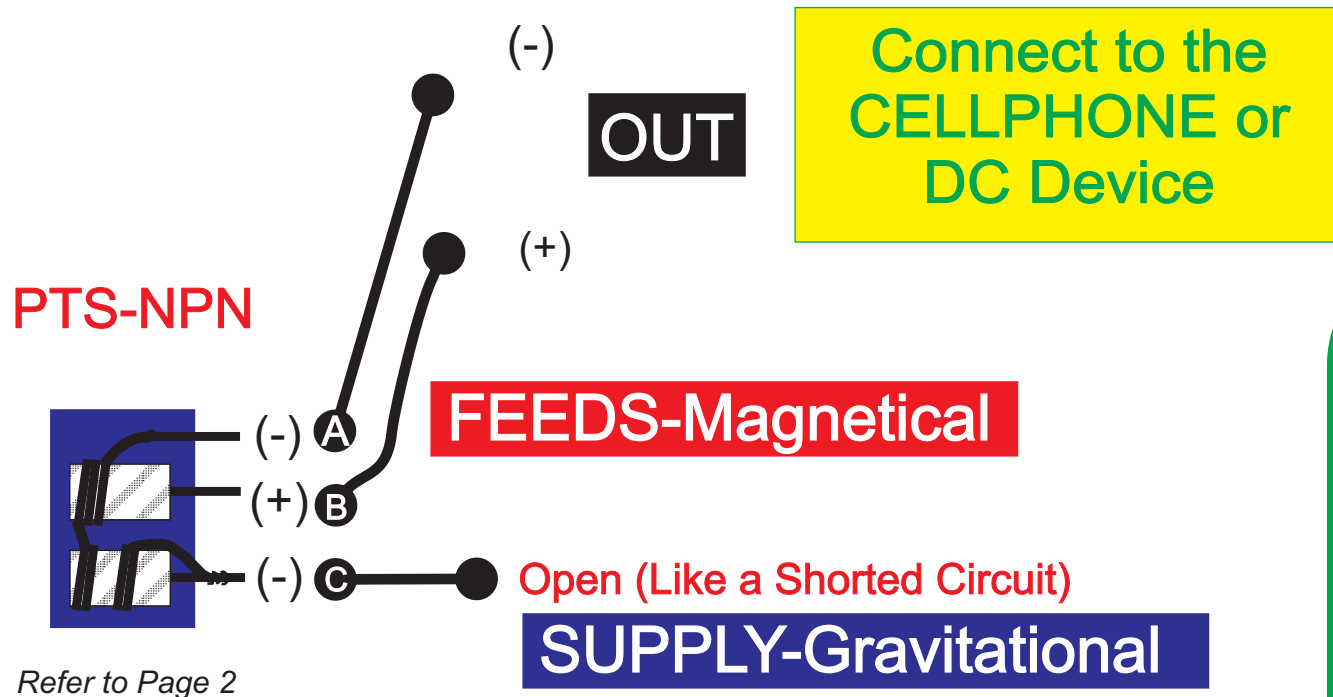


Put 15ml of Washed Liquid CO₂ Gans in
your Fuel Tank with 25% Full of Fuel



Energy System1 (ES1)

#DC Permanent Charger System (DCPCS) Schematics



Refer to Page 2

Remember:

Nano Copper Wire is
a resistor Vertically
and a Super conductor
Horizontally



Nano Coated
Copper Wire

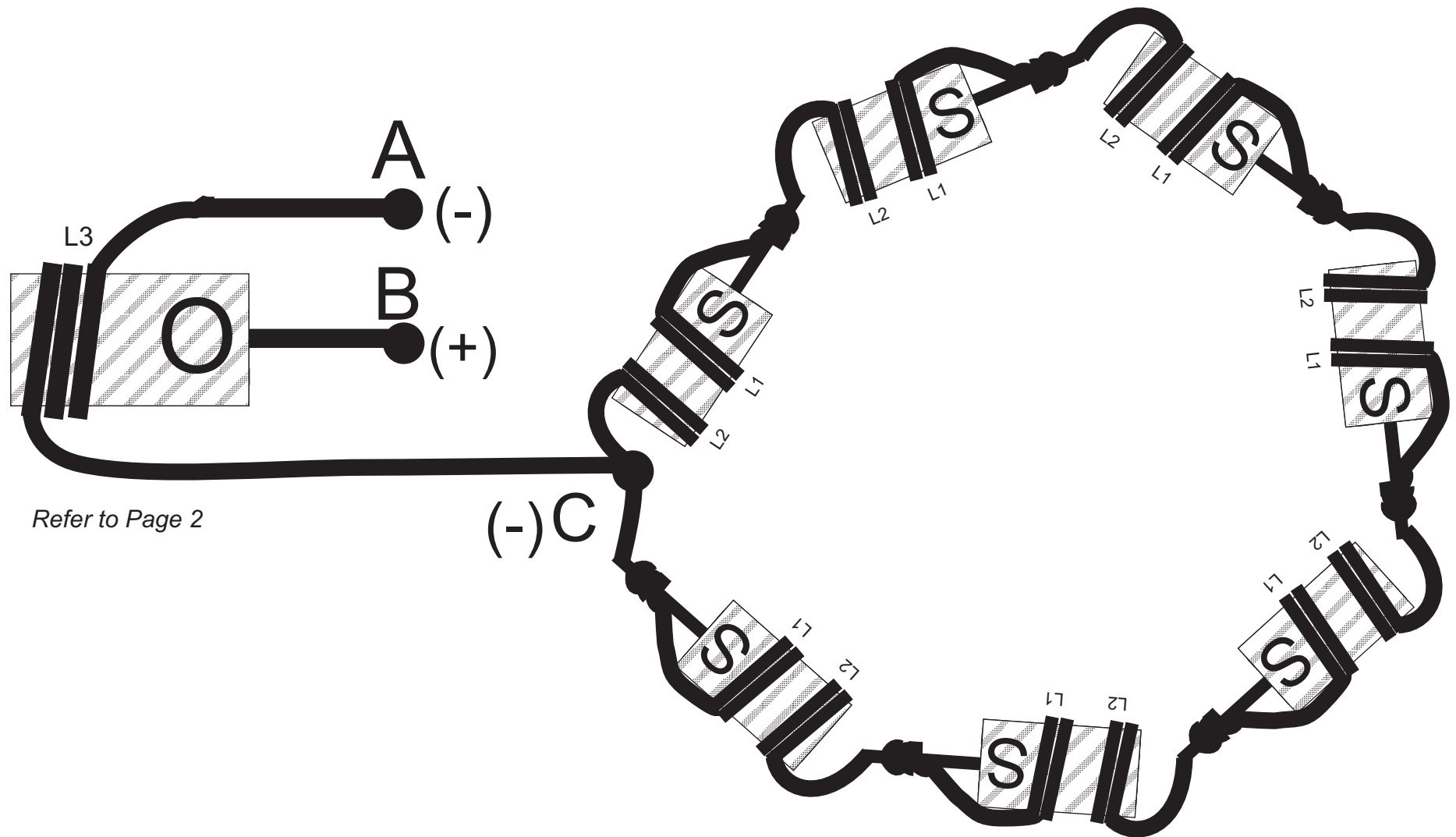
Take Note:

- (1) Initially the Cellular phone must be fully charged before connecting the system this initialize your PTS-NPN.
- (2) Design your system to fit permanently to your DC Device / Cellular Phone (a flat cell design)
- (3) You can add Gans Cells with Multiple Layers in your PTS-NPN System.

Alekz System

Keshe Foundation R&D Group
July 2, 2015

#Amp/Volt Booster (AVB) Schematic



Refer to Page 2

Note: Please try if Point C needs to be close the Loop or Not

Alekz System

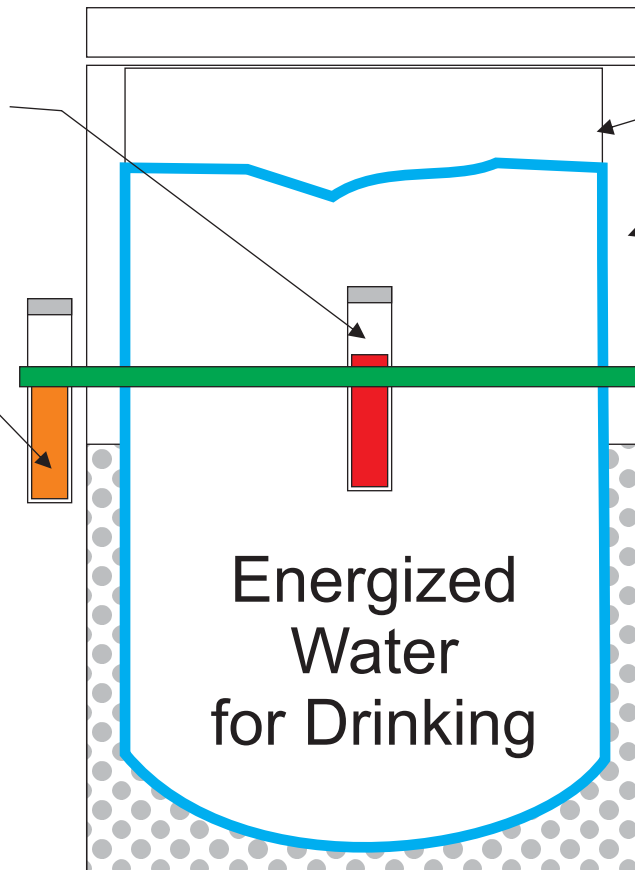
Keshe Foundation R&D Group
July 3, 2015

#Food/Health Cups (Cup of Life) (FHC) System



Fruits, Vegetables, Vitamins (On top of Lid)
Depends on your needs

Your Blood (Emotion)
and Skin (Physicality)
(You Take what
you need)



Cup Lid

Inside of Cup Not Nano Coated

Nano Coated Cup on Gans Layer

Different Variations of Amino Acids (COHN)
To satisfy the Spectrum of Energy Needed
by the Body

Co2 Gans (Base)

Different
Ganses

Energized
Water
for Drinking

Plastic Cups with
round bottom are preferable.
One cup per person.

Warning: Do not mix your blood, skin,
amino acid to the ganses and water.
Do not Use Copper Gans
and other Strong Ganses

Disclaimer: KF is not liable for any harm that you may encounter
upon testing. Test at your own risk and responsibility

Keshe Health Cups

Keshe Foundation R&D Group
July 3, 2015

#Food/Health Cup Levels

